

**"TIPPER TRUCK" ONLY SYSTEM:**

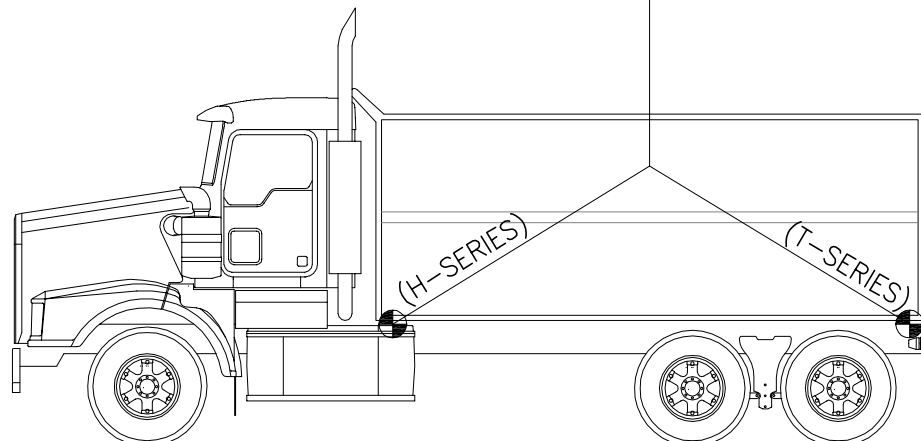
PART No. PSS 002-1

(INC.)

- 2 x T-SERIES LOAD CELLS,
- 2 x H-SERIES LOAD CELLS
- 1 x SINGLE CHANNEL METER
- 1 x CABLE HARNESS.
- 1 x BOLT SET

(OPTION)

- HAND HELD REMOTE (PSP 150-13w),
- PRINTER (PSP 160-4).



**PACIFIC SCALES**  
WEIGH AHEAD

[www.pacificscales.com.au](http://www.pacificscales.com.au)

**TITLE:** 2 CHANNEL – TIP TRUCK (LOAD CELL).

Phone = (03) 6265 3844

E - Mail = [info@pacificscales.com.au](mailto:info@pacificscales.com.au)

DRAWN BY:

COPYRIGHT

SCALE

N.T.S

DATE

DWG No.

PP 1-1