

**4 LOADCELL SPREADER/GARBAGE SYSTEM:**

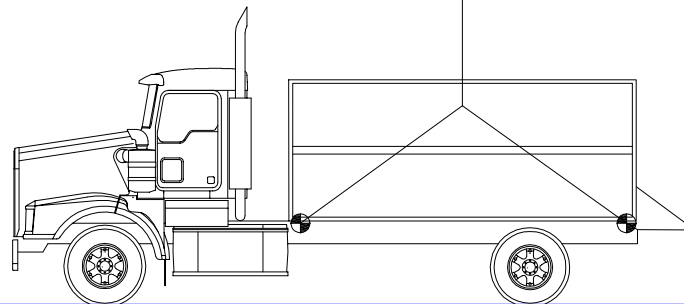
PART No. PSS 004-6,

(INC.)

- 4 x J-SERIES LOAD CELLS,
- 1 x SINGLE CHANNEL METER,
- 1 x CABLE HARNESS & MOUNTING BOLT SET.

(OPTION)

- HAND HELD REMOTE (PSP 150-13W),
- PRINTER (PSP 160-4).



**PACIFIC SCALES**  
WEIGH AHEAD

[www.pacificscales.com.au](http://www.pacificscales.com.au)

**TITLE:** SINGLE CHANNEL – SPREADER/GARBAGE 4 x J-SERIES LOADCELLS.

Phone = (03) 6265 3844

DRAWN BY:

SCALE

DATE

DWG No.

E - Mail = [info@pacificscales.com.au](mailto:info@pacificscales.com.au)

N.T.S

COPYRIGHT

PP 1-4