

J6 TRUCK – 2 CHANNEL SYSTEM:

PART No. PSS 020-1,

(INC.)

- 1 x PACIFIC MULTI 4 CHANNEL METER,
- 1 x TL 80T TONE LINK
- 1 x CABLE HARNESS,
- 2 x J6 LOAD CELLS,
- 4 x MOUNTING BLOCKS,
- 4 x 11/4" x 31/2" BOLTS,
- 4 x 11/4" x 13/4" BOLTS,
- 4 x 1" x 13/4" BOLTS,

(OPTION)

- HAND HELD REMOTE (PSP 150-13W)
- PRINTER (PSP 160-4)

JINKER TRAILER LOAD CELL SYSTEM:

PART No. PSS 020-2,

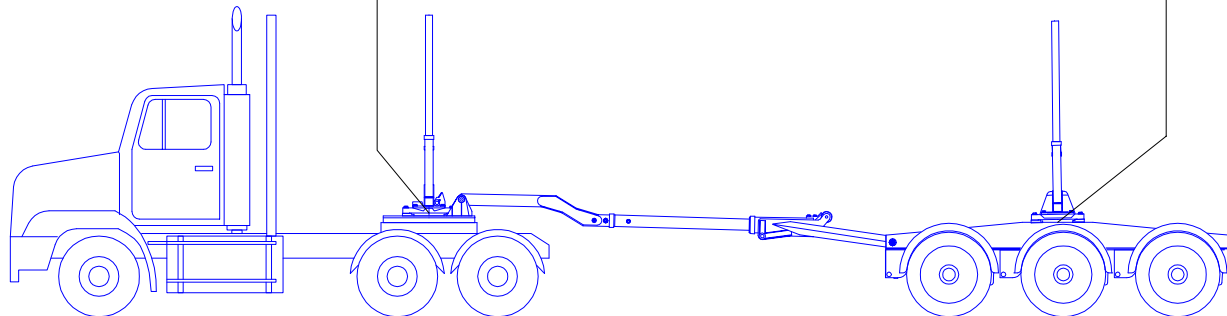
(INC.)

- 1 x TL 80T TONE LINK
- 1 x CABLE HARNESS,
- 2 x J6 LOAD CELLS,
- 4 x MOUNTING BLOCKS,
- 4 x 11/4" x 31/2" BOLTS,
- 4 x 11/4" x 13/4" BOLTS,
- 4 x 1" x 13/4" BOLTS,

NOTE: TONE LINK SELECTION

- FOR OLDER T & D TYPE METERS -
TONE LINK AS SHOWN.

- FOR M TYPE METER - BECAUSE OF ITS
LARGER RANGE, ANY VALUE TONE LINK
WILL WORK.



PACIFIC SCALES
WEIGH AHEAD

www.pacificscales.com.au

TITLE: 2 CHANNEL – LOG TRUCK & JINKER (J6 SYSTEM).

Phone = (03) 6265 3844

E - Mail = info@pacificscales.com.au

DRAWN BY:

SCALE

DATE

DWG No.

N.T.S

COPYRIGHT

PP 2-7