

**FIFTH WHEEL – 3 CHANNEL SYSTEM:**

PART No. PSS 006-4,

(INC.)

- 2 x FIFTH WHEEL LOAD CELLS,
- 1 x PACIFIC MULTI 4 CHANNEL METER,
- 1 x TL 200T TONE LINK & CABLE HARNESS,
- 4 x MOUNTING BLOCKS & BOLTS.

(OPTION)

- HAND HELD REMOTE (PSP 150-13W),
- PRINTER (PSP 160-4),
- TRUNNIONS - HOLLAND PSP 500-1,
- JOST PSP 500-2,

(TRUNNIONS SUPPLIED WITH MOUNTING BOLTS)

**AIR SCALE TANDEM TRAILER:**

PART No. PSS 072,

(INC.)

- 1 x TL 140S TONE LINK ,
- 1 x AIR TRANSDUCER.

**AIR SCALE TANDEM TRAILER:**

PART No. PSS 072,

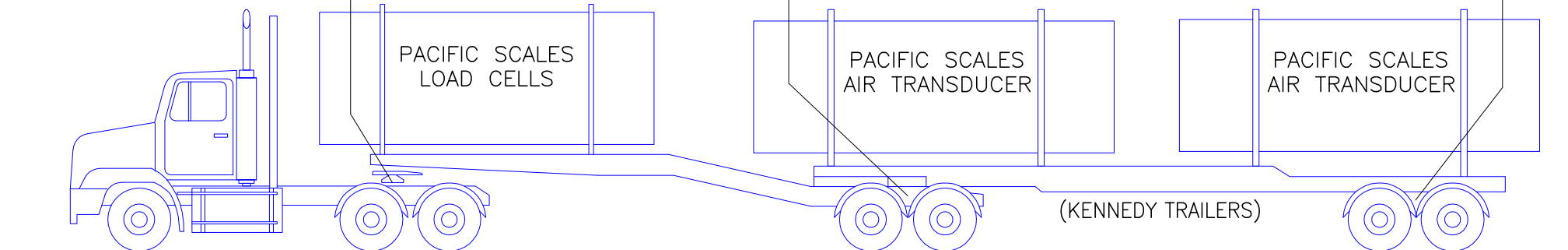
(INC.)

- 1 x TL 140S TONE LINK ,
- 1 x AIR TRANSDUCER.

**NOTE: TONE LINK SELECTION**

- FOR OLDER T & D TYPE METERS - TONE LINK AS SHOWN.

- FOR M TYPE METER - BECAUSE OF ITS LARGER RANGE,  
ANY VALUE TONE LINK WILL WORK.



**PACIFIC SCALES**  
WEIGH AHEAD

www.pacificscales.com.au

**TITLE:** MINI B-DOUBLE – 3 CHANNEL SYSTEM (LOAD CELL / AIR / AIR).

Phone = (03) 6265 3844

DRAWN BY:

SCALE

DATE

DWG No.

N.T.S

E - Mail = info@pacificscales.com.au

COPYRIGHT

PP 3-4