

**SHORT LOGGER TRUCK  
4 CHANNEL METER &  
COMPARATOR TONE LINK:**

PART No. PSS 050,

(INC.)

- 1 x PACIFIC MULTI 4 CHANNEL METER,
- 1 x COMPARATOR TONE LINK,
- 2 x CABLE HARNESES,
- 1 x TONE LINK CABLE,
- 4 x J5 SERIES LOAD CELLS,
- 16 x 1" BOLTS.

(OPTIONS)

- HAND HELD REMOTE (PSP 150-13W),
- PRINTER & REMOTE (PSP 160-4),

**J6 TRAILER SYSTEM:**

PART No. PSS 020-2,

(INC.)

- 2 x J6 LOAD CELLS,
- 1 x TL 80T TONE LINK ,
- 4 x MOUNTING BLOCKS & BOLTS.

**J6 TRAILER SYSTEM:**

PART No. PSS 020-2,

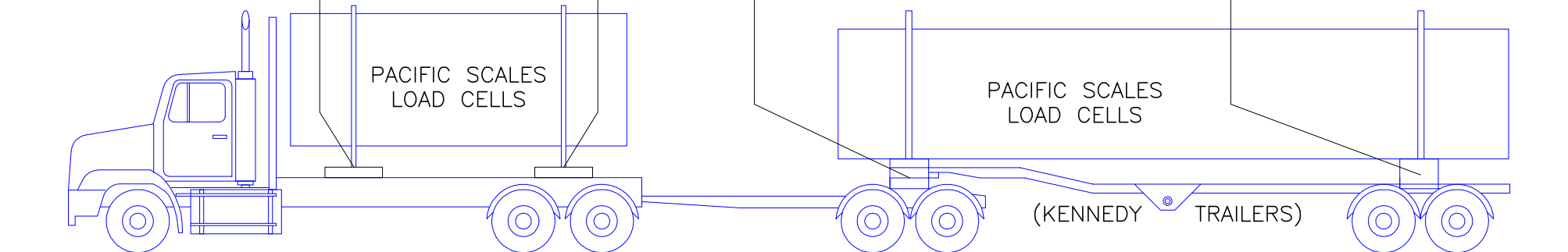
(INC.)

- 2 x J6 LOAD CELLS,
- 1 x TL 80T TONE LINK ,
- 4 x MOUNTING BLOCKS & BOLTS.

**NOTE: TONE LINK  
SELECTION**

- FOR OLDER T & D TYPE METERS  
- TONE LINK AS SHOWN.

- FOR M TYPE METER - BECAUSE  
OF ITS LARGER RANGE, ANY  
VALUE TONE LINK WILL WORK.



**PACIFIC SCALES**  
WEIGH AHEAD

www.pacificscales.com.au

**TITLE:** 4 CH. SYSTEM USING COMPARITOR ON CH. B (POLE DOG TRAILER).

Phone = (03) 6265 3844

E - Mail = info@pacificscales.com.au

DRAWN BY:

COPYRIGHT

SCALE

N.T.S

DATE

DWG No.

PP 4-7